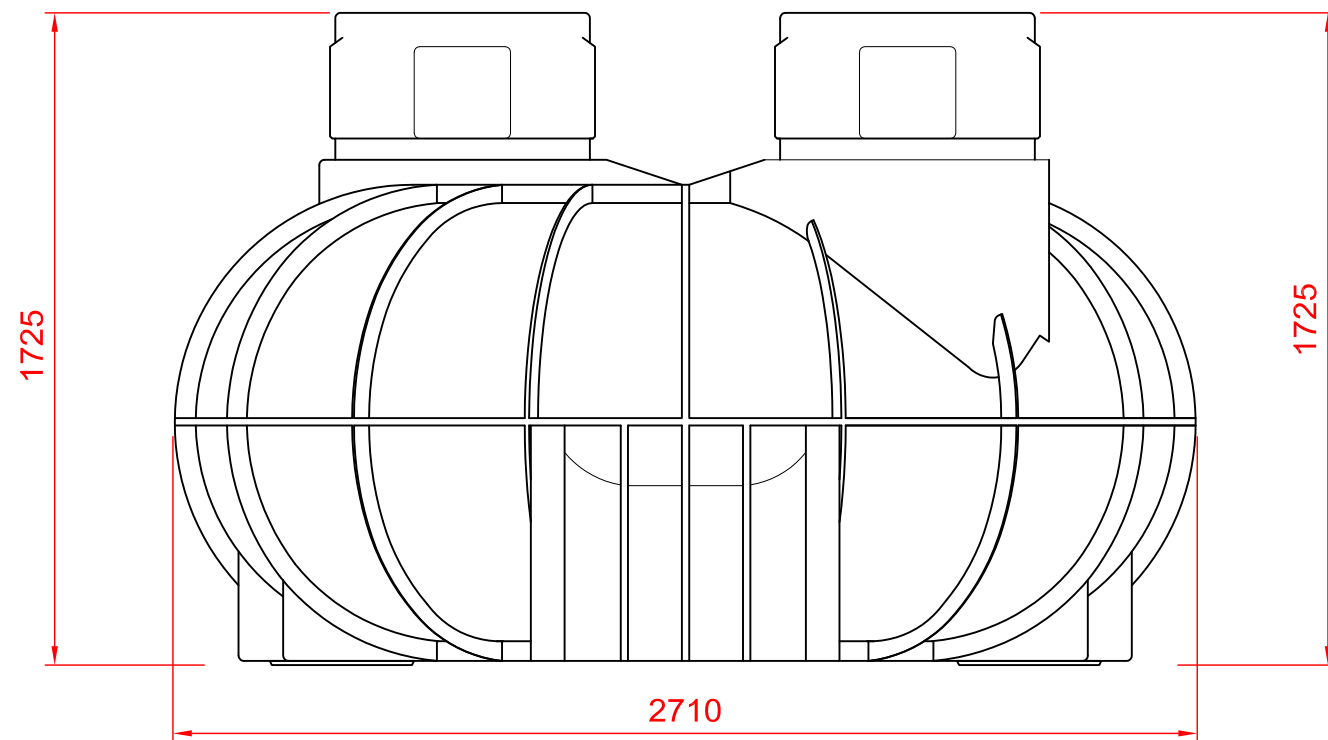
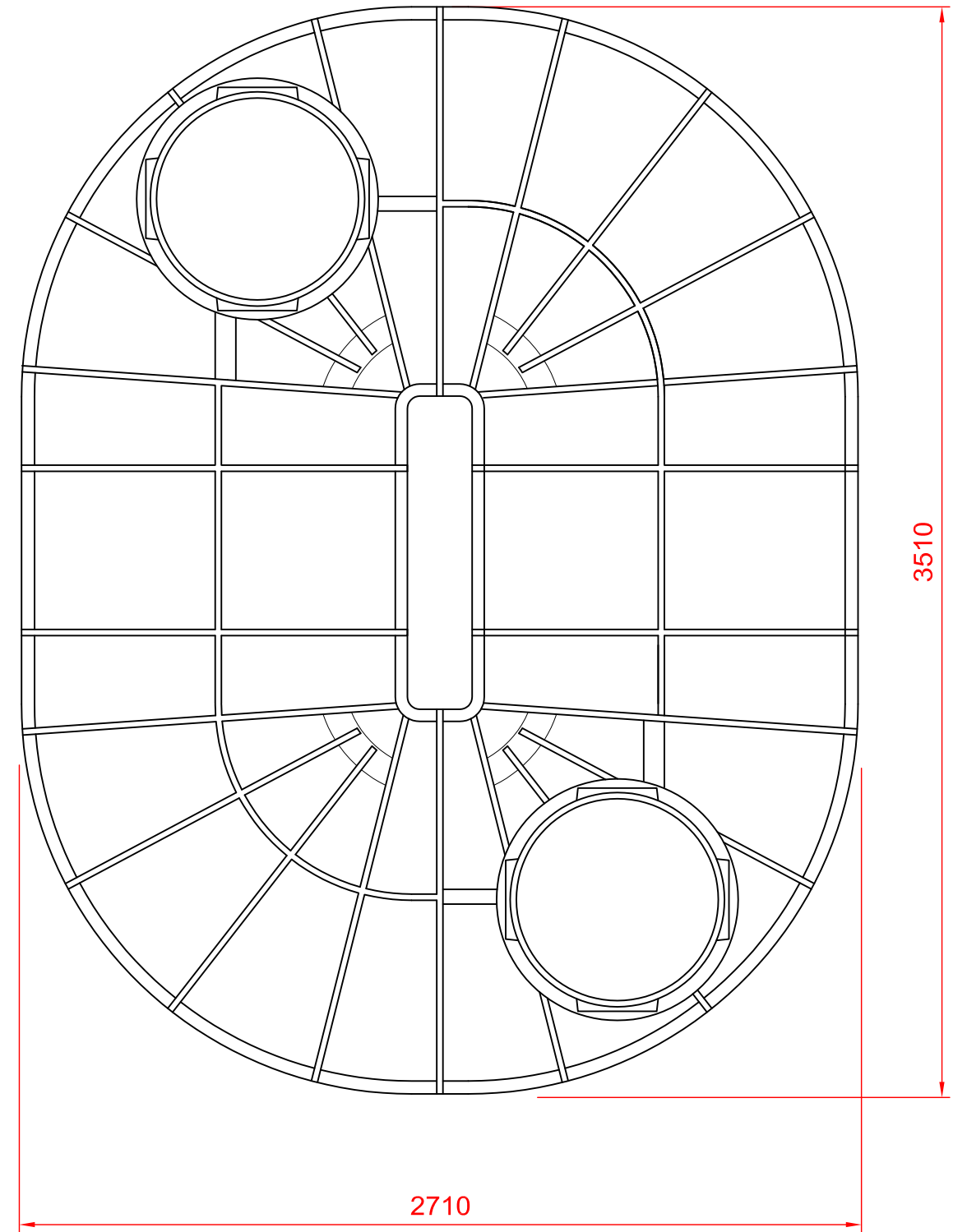


SIDE ELEVATION



END ELEVATION



PLAN

© Atlantis Tanks Group Ltd. 2020



Title
6800 Litre TN Puratank
Plans and Elevations

Scale
1:20
Drawing No.
PUR-TN-6800-01

Revisions
-