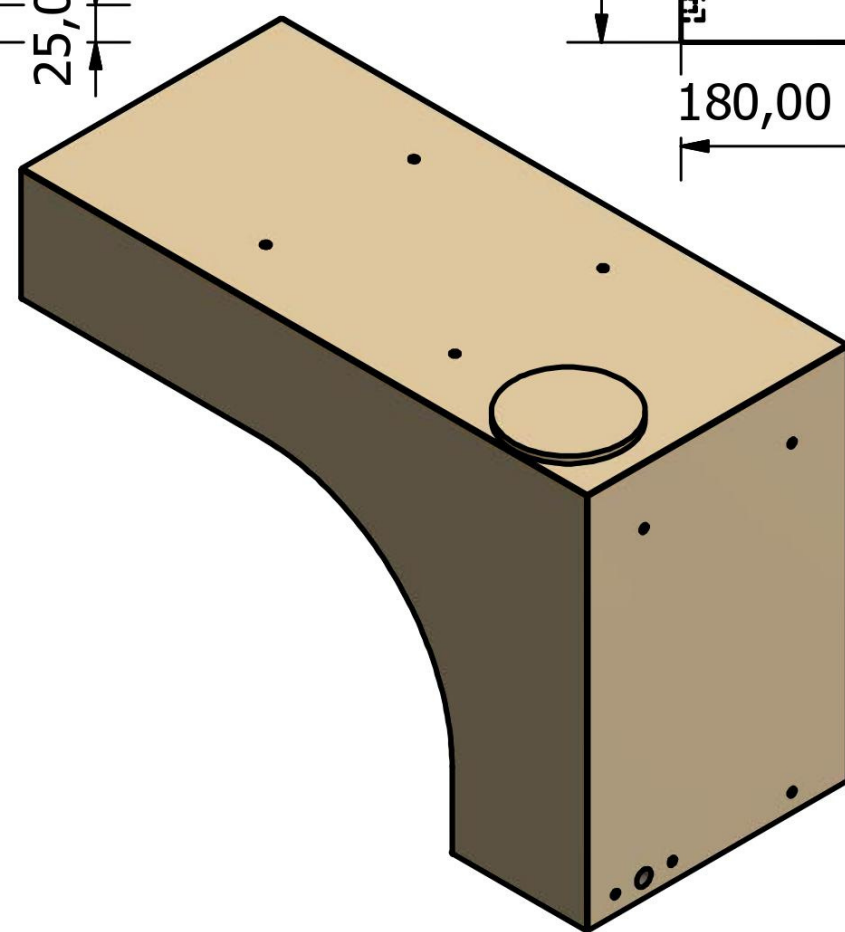
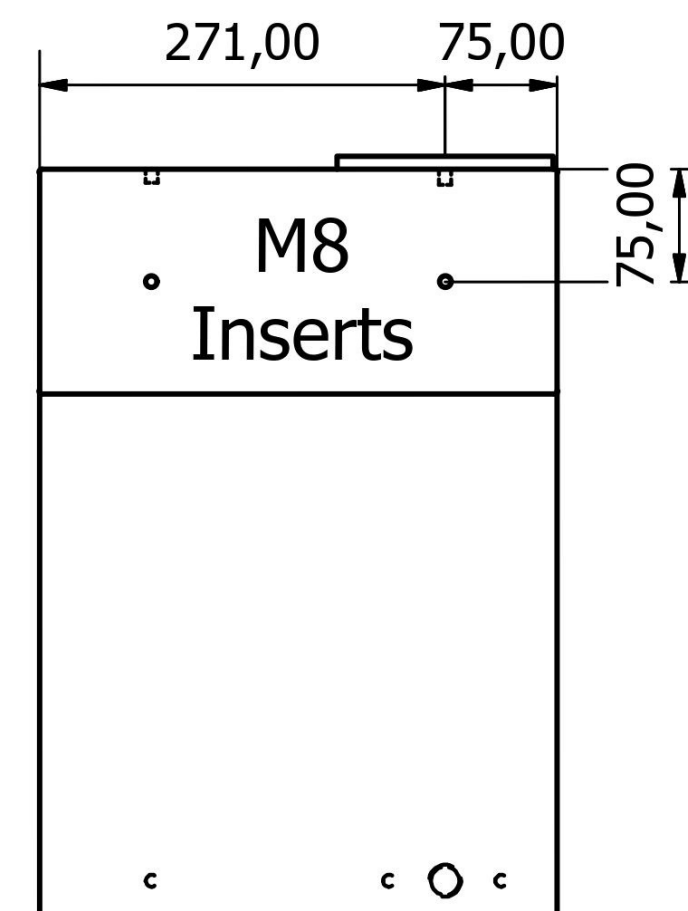
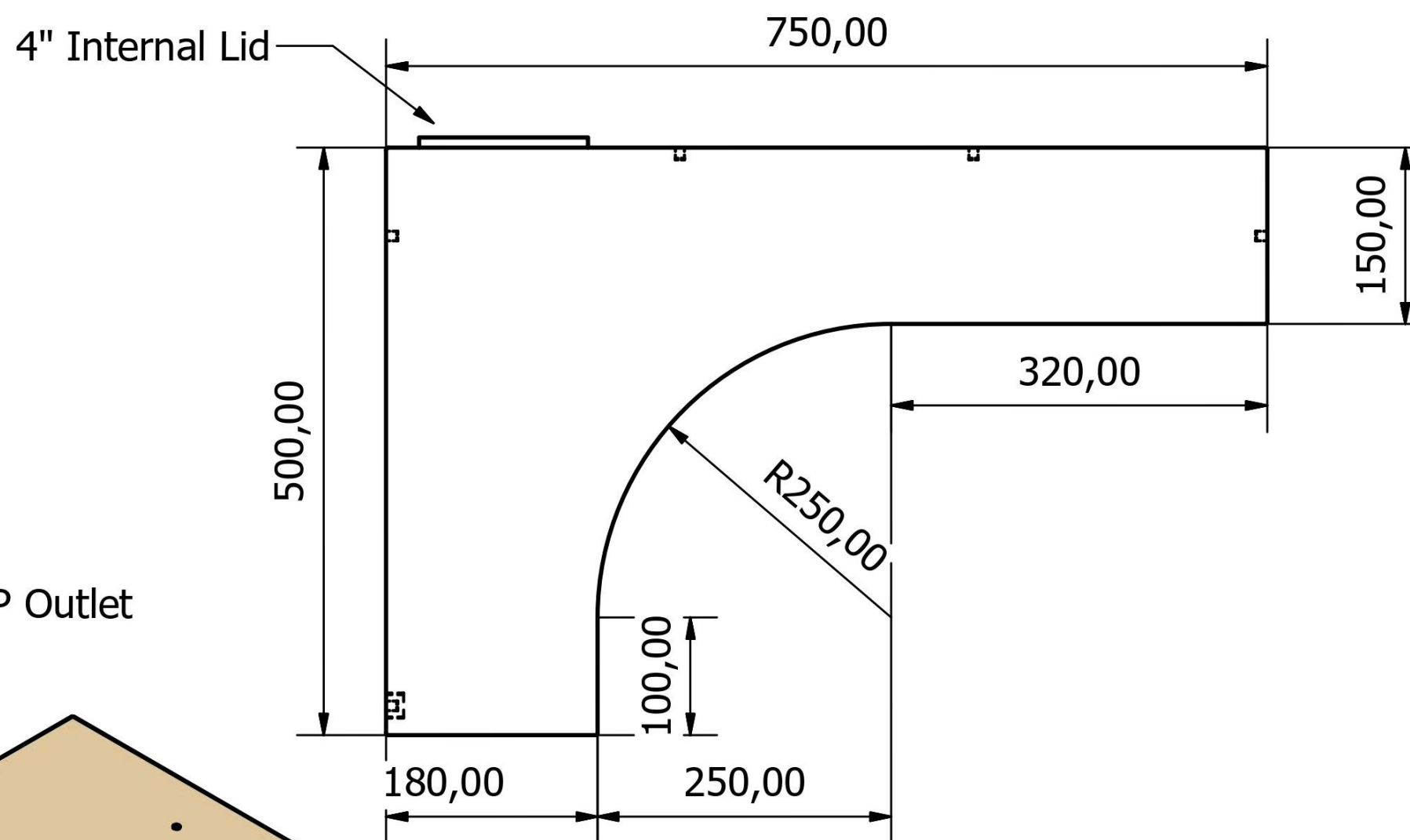
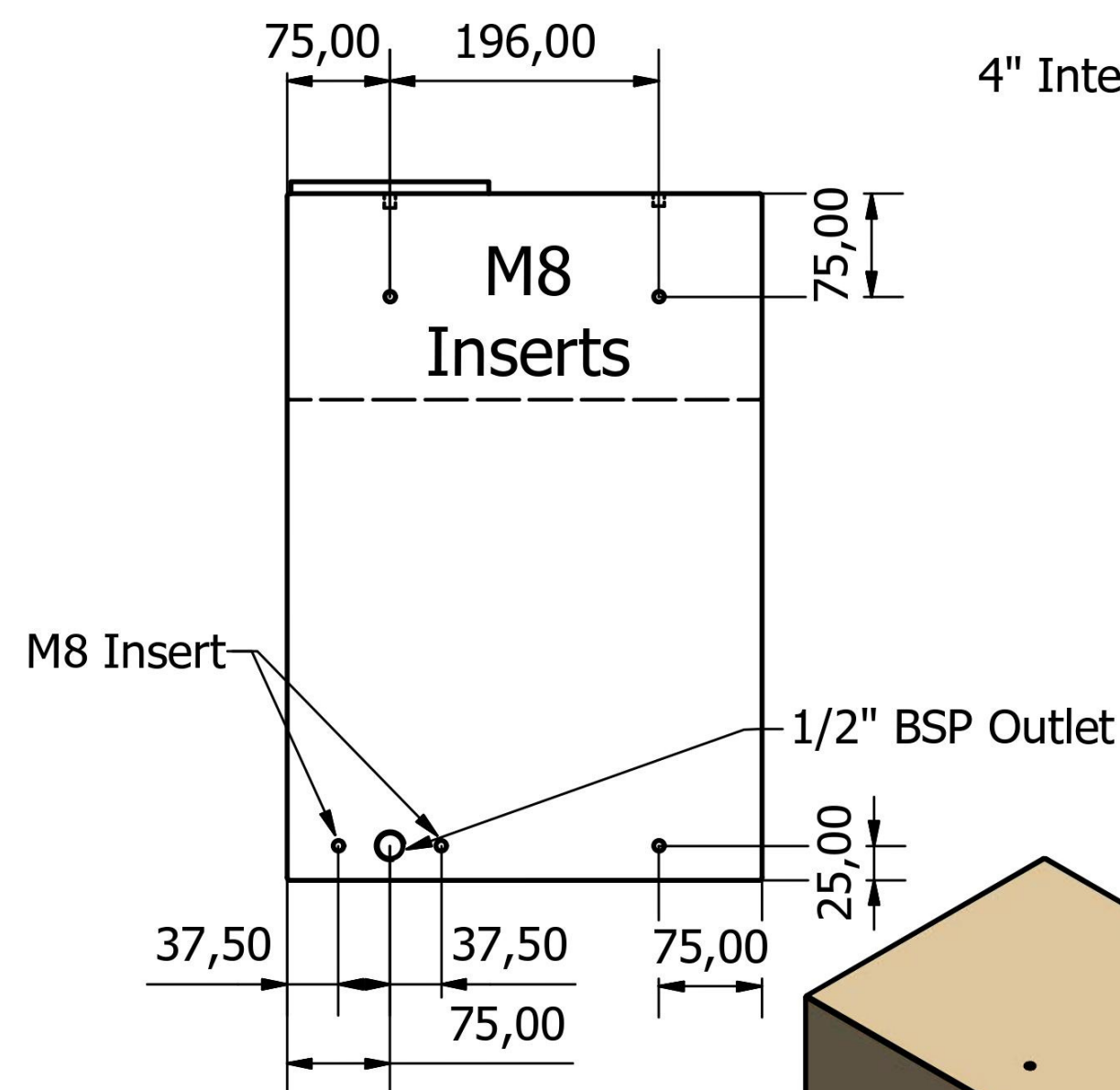
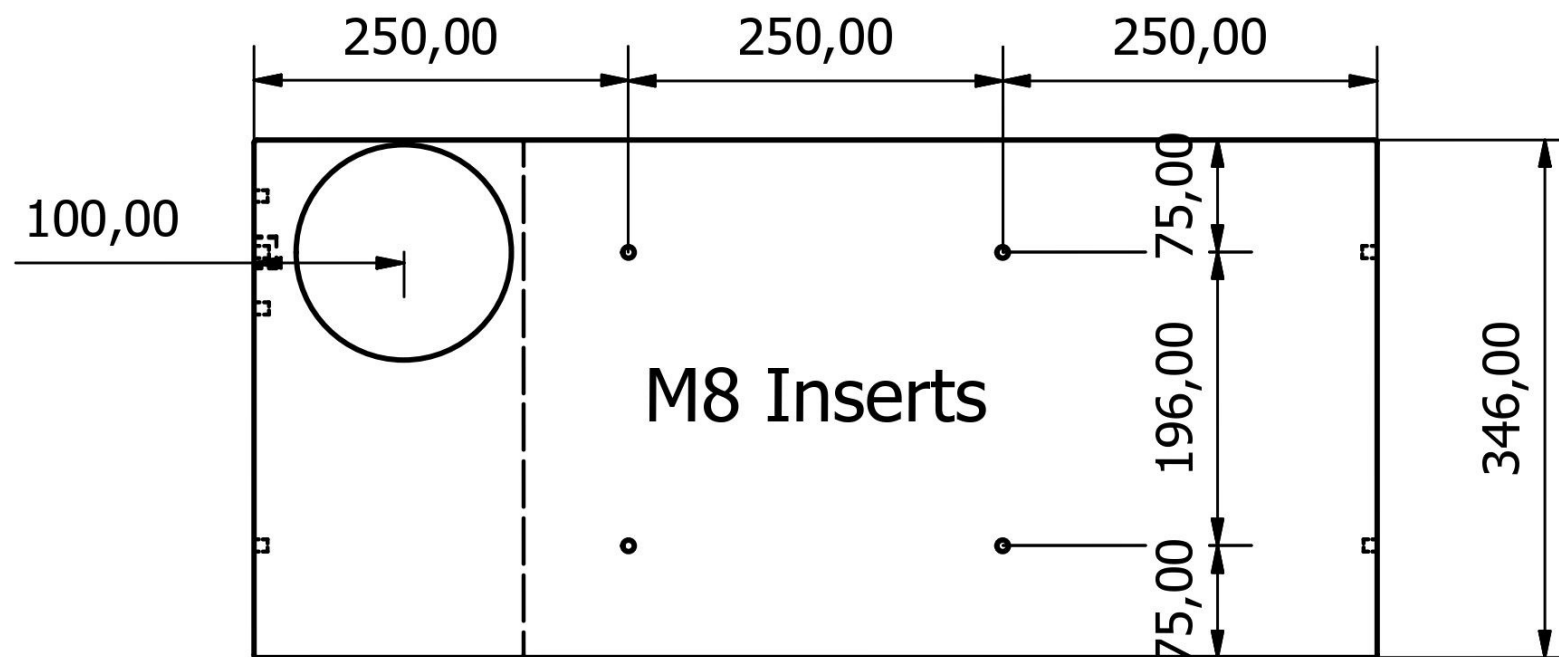


DO NOT SCALE UNLESS STATED - IF IN DOUBT ASK

Material	Polyethylene
Qty Req'd	



REV	ZONE	DESCRIPTION	DATE



CUSTOMER: Wydale		
PROJECT: 57 Litre Wheel Arch Tank		
DRAWN DATE: 07/11/2018	DESIGNED BY: rory	CHECKED BY:
SHEET 1 OF 1	REV A	DRAWING NO:

