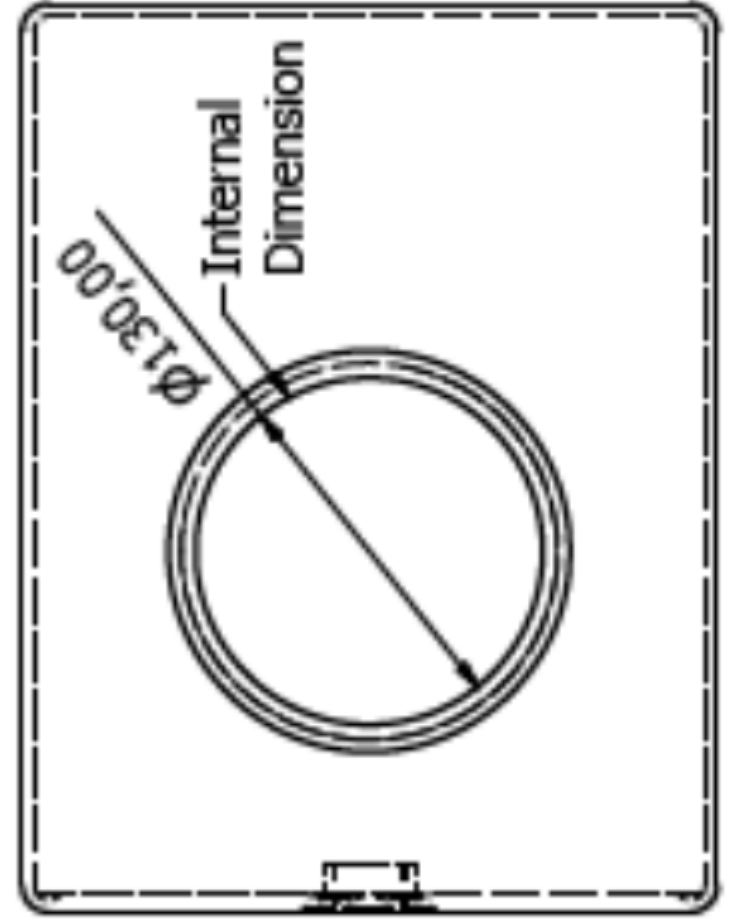
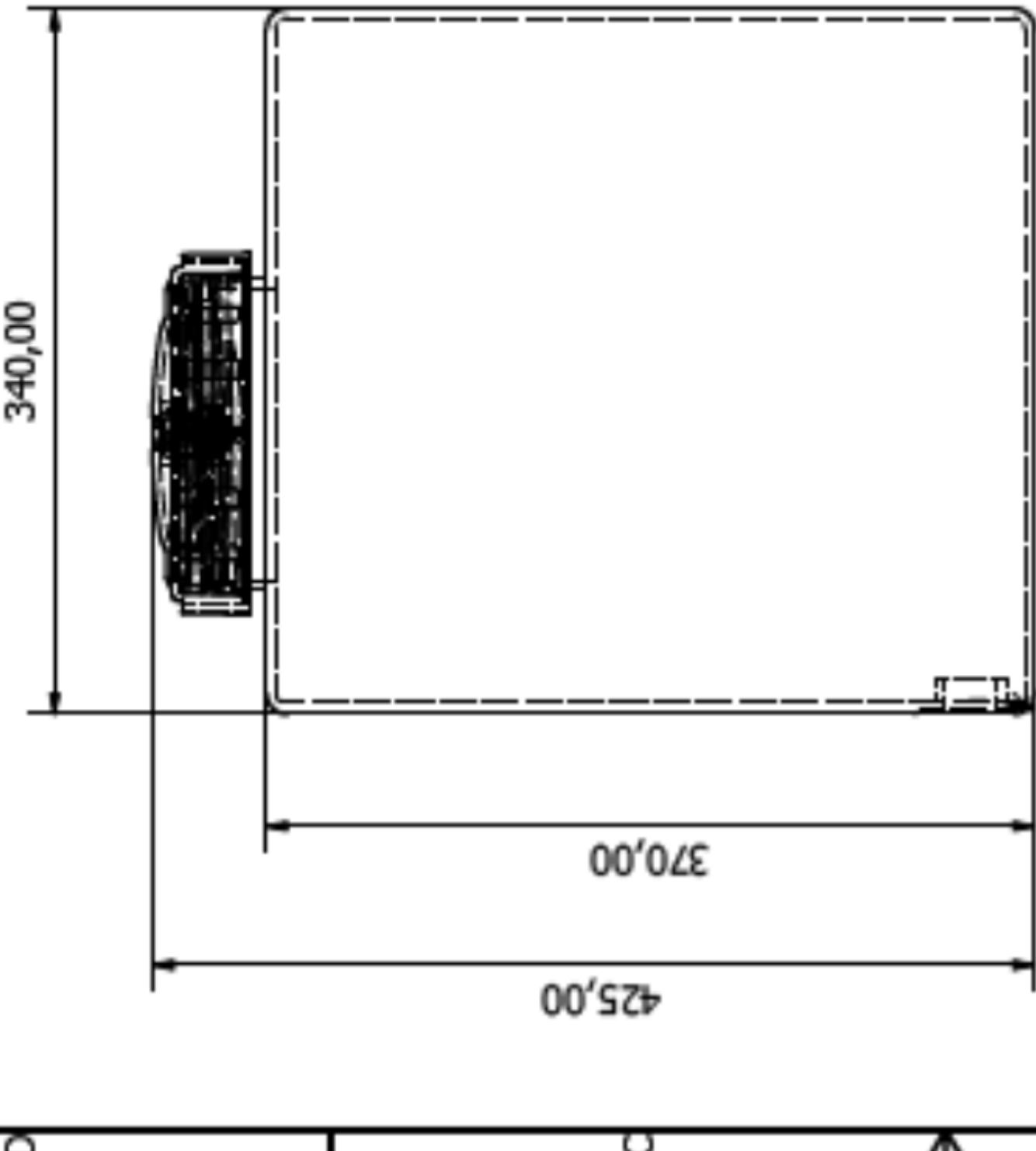
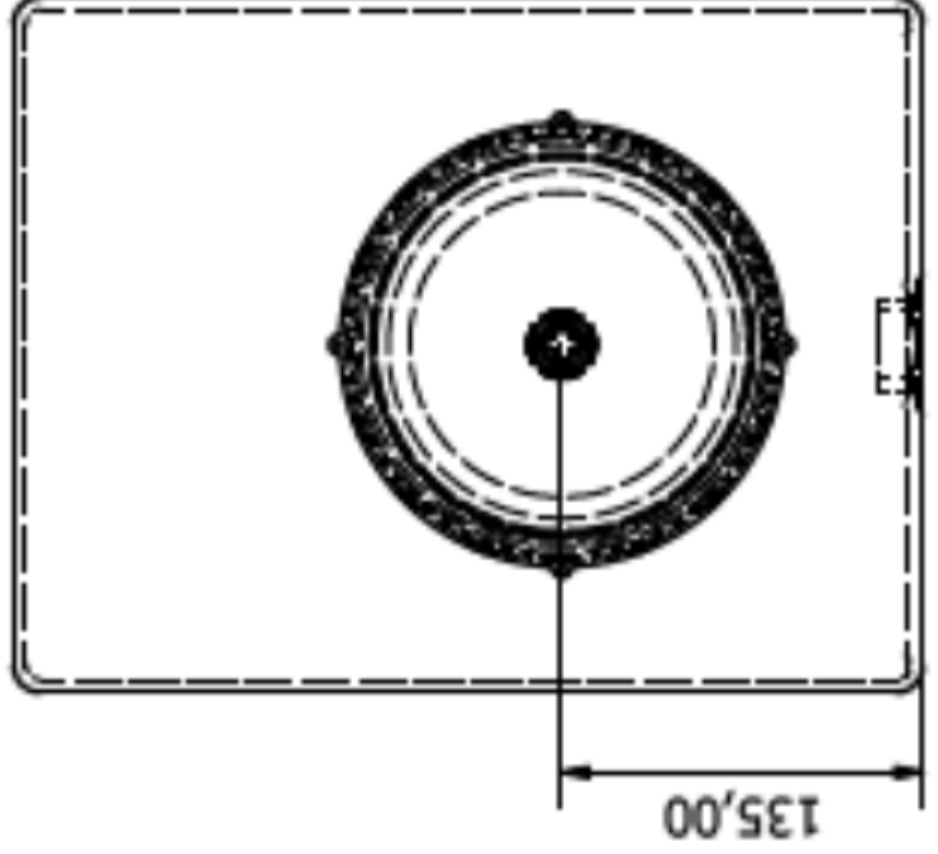
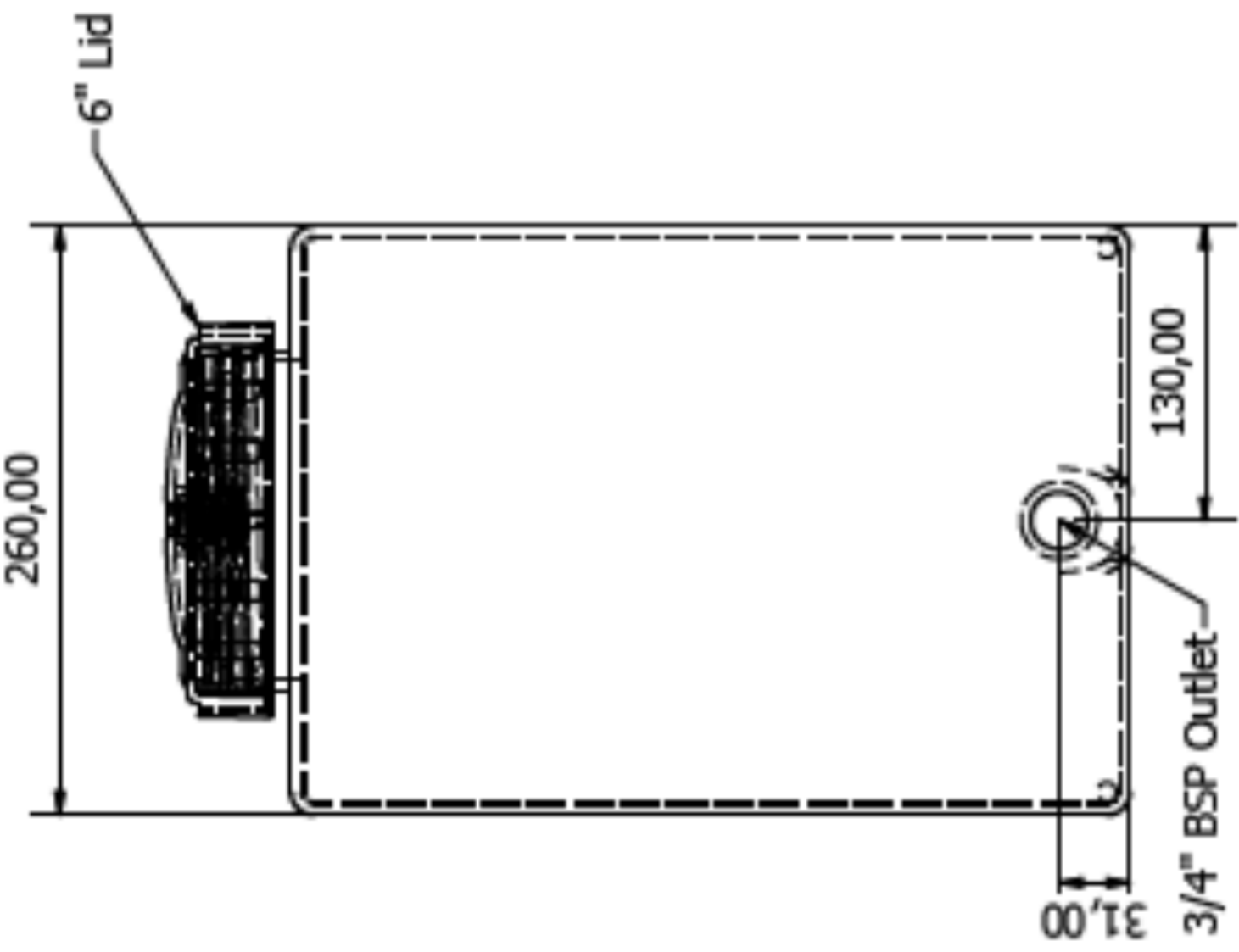
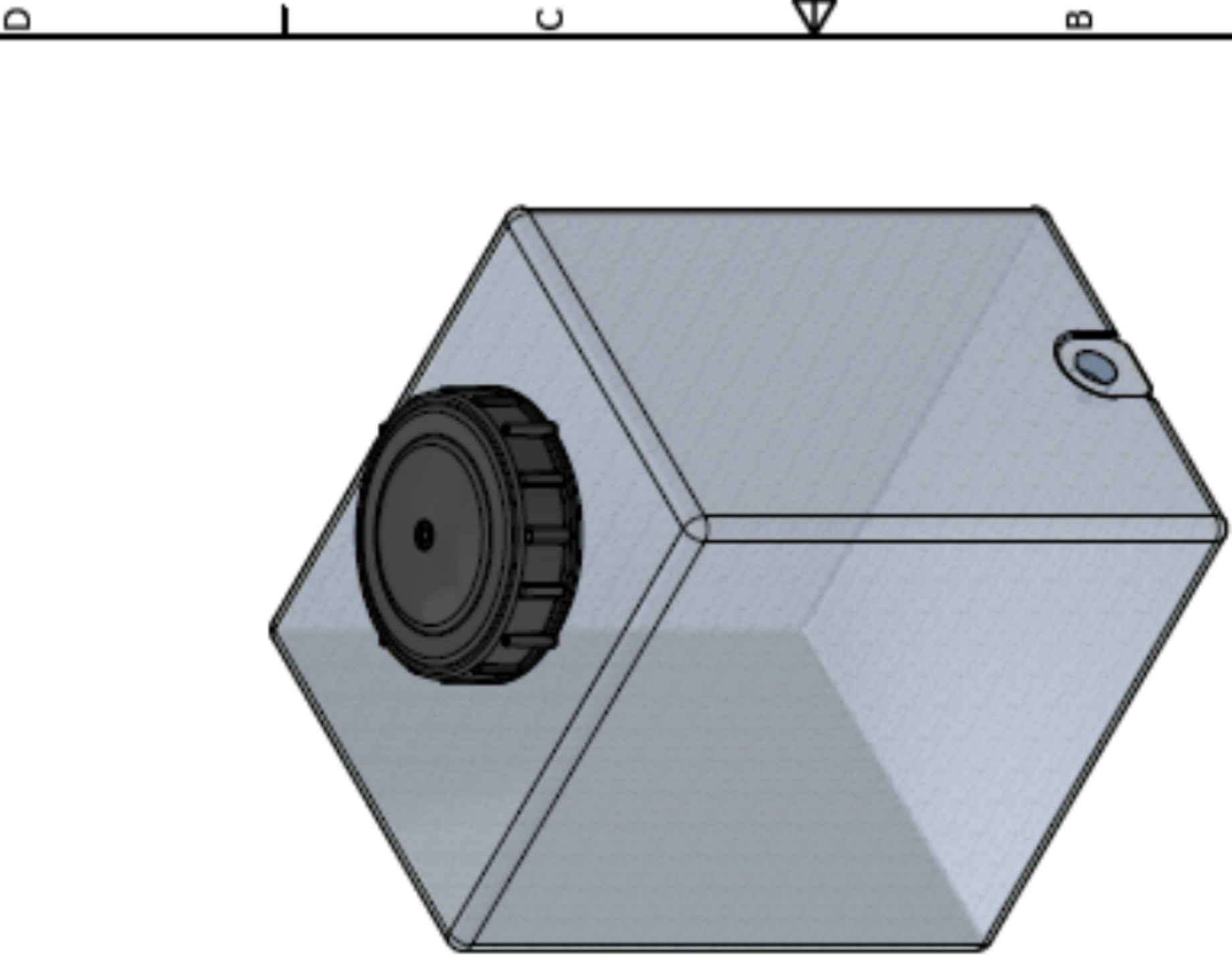


Material	Polyethylene
Qty Req'd	

Nominal wall thickness - 4.5mm  
 Nominal weight - 3kg

DO NOT SCALE UNLESS STATED - IF IN DOUBT ASK

425,00  
 370,00  
 340,00



**Online Tank Store**  
 Tanks, Feeders & More

**CUSTOMER:** 25 Litre Tank MK2 6" lid

**PROJECT:** 25 Litre Tank MK2 6" lid

**DRAWN DATE:** 07/11/2022  
**DESIGNED BY:** Rory

**REV** A  
**DRAWING NO:**

**SHEET 1 OF 1**

**CHECKED BY:**

REV	ZONE	DESCRIPTION	DATE