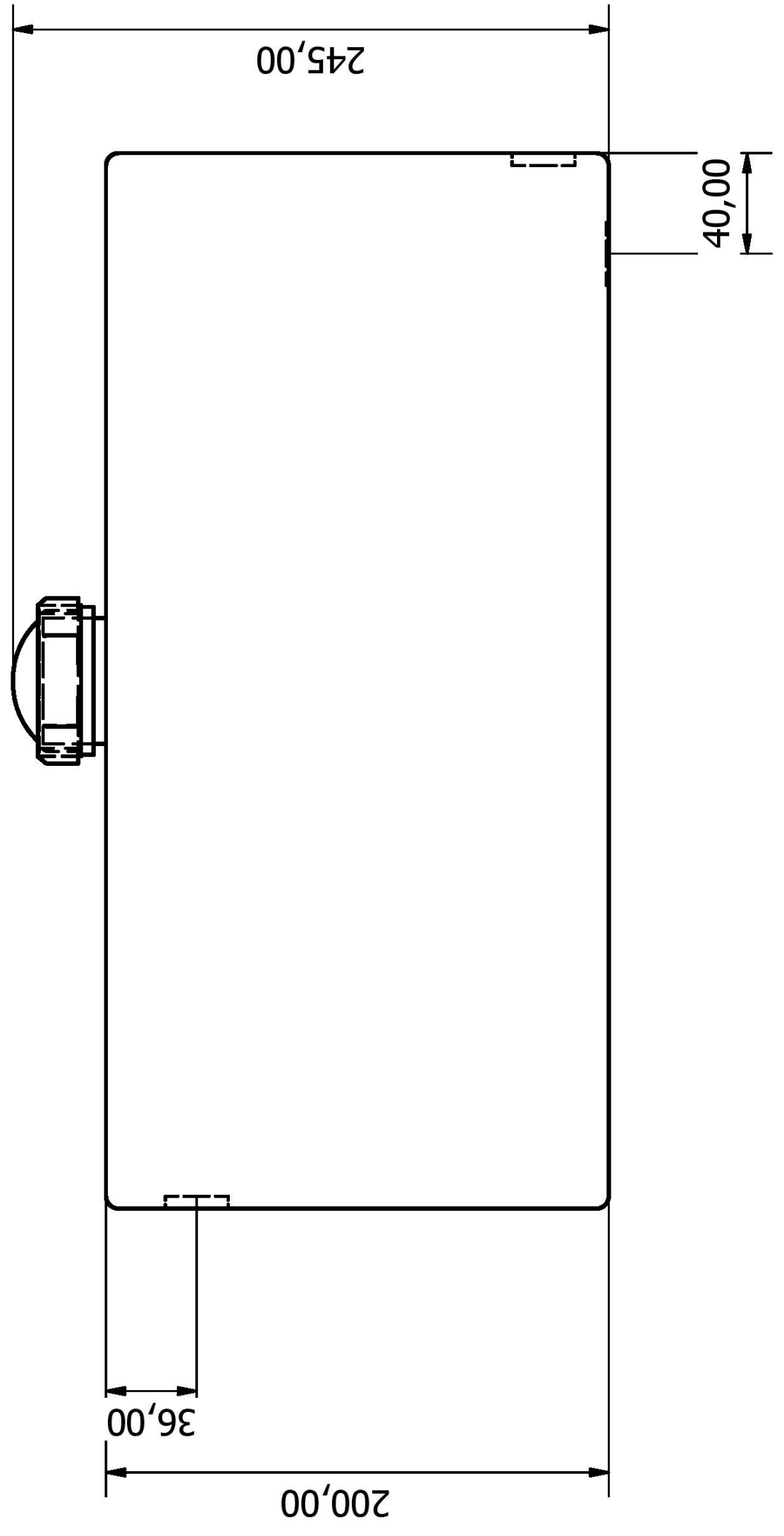
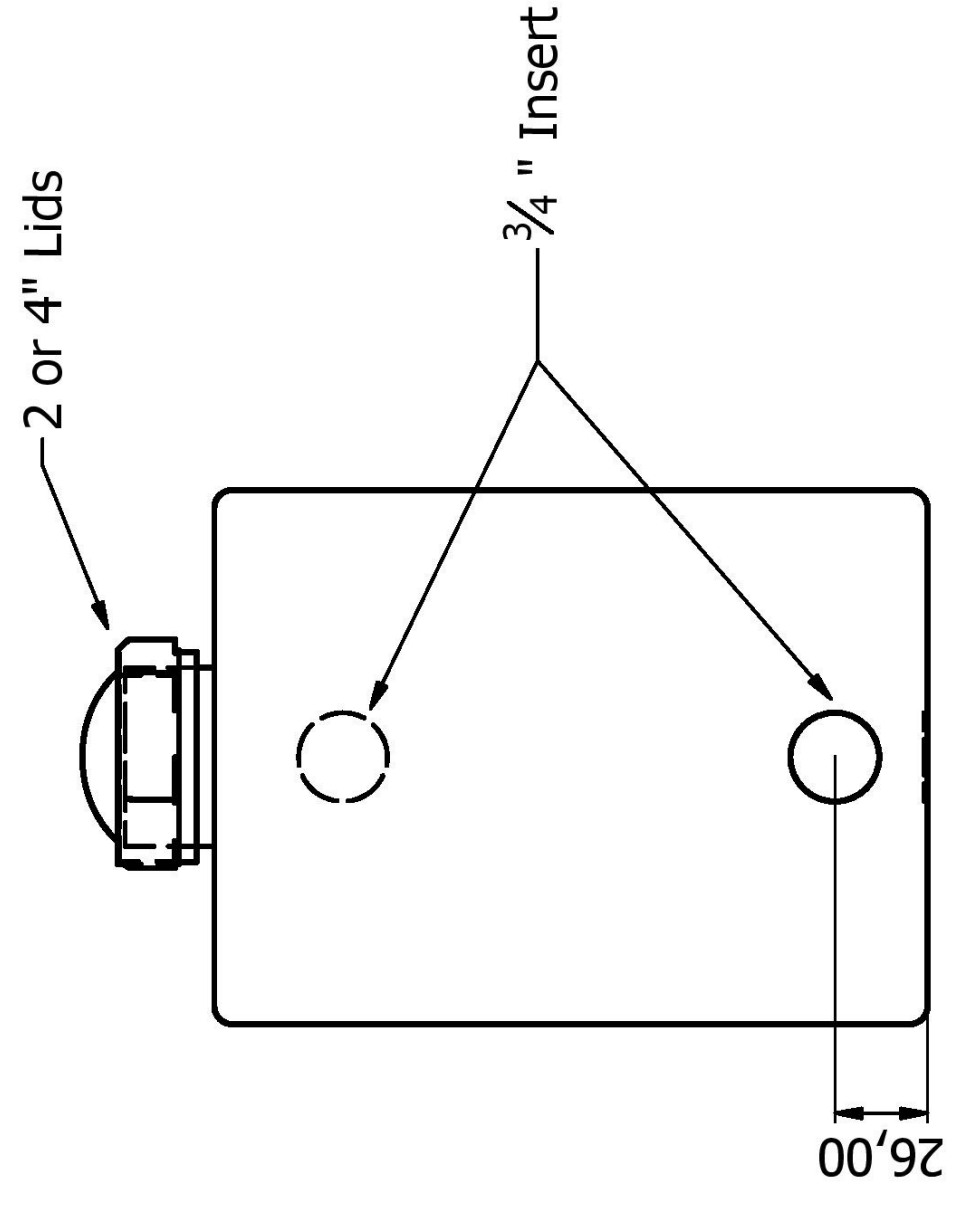
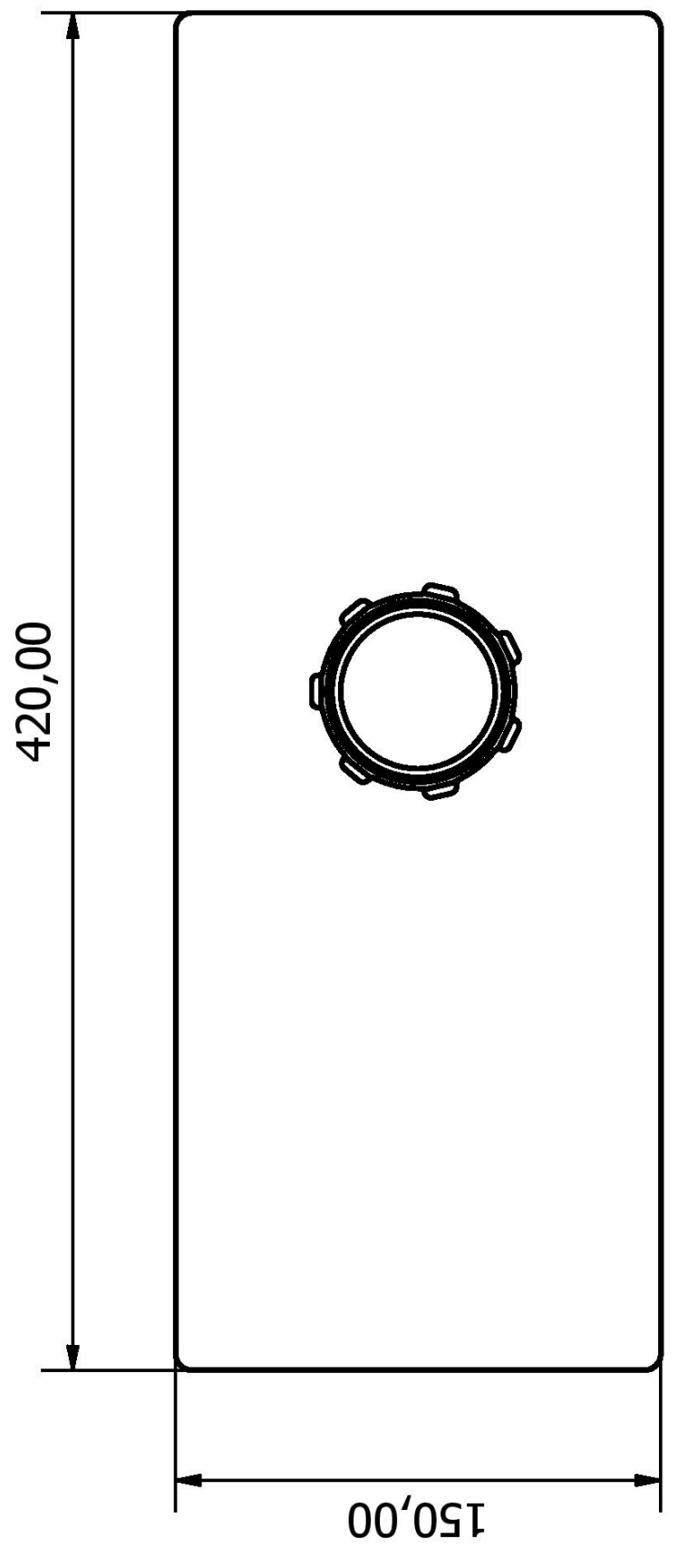
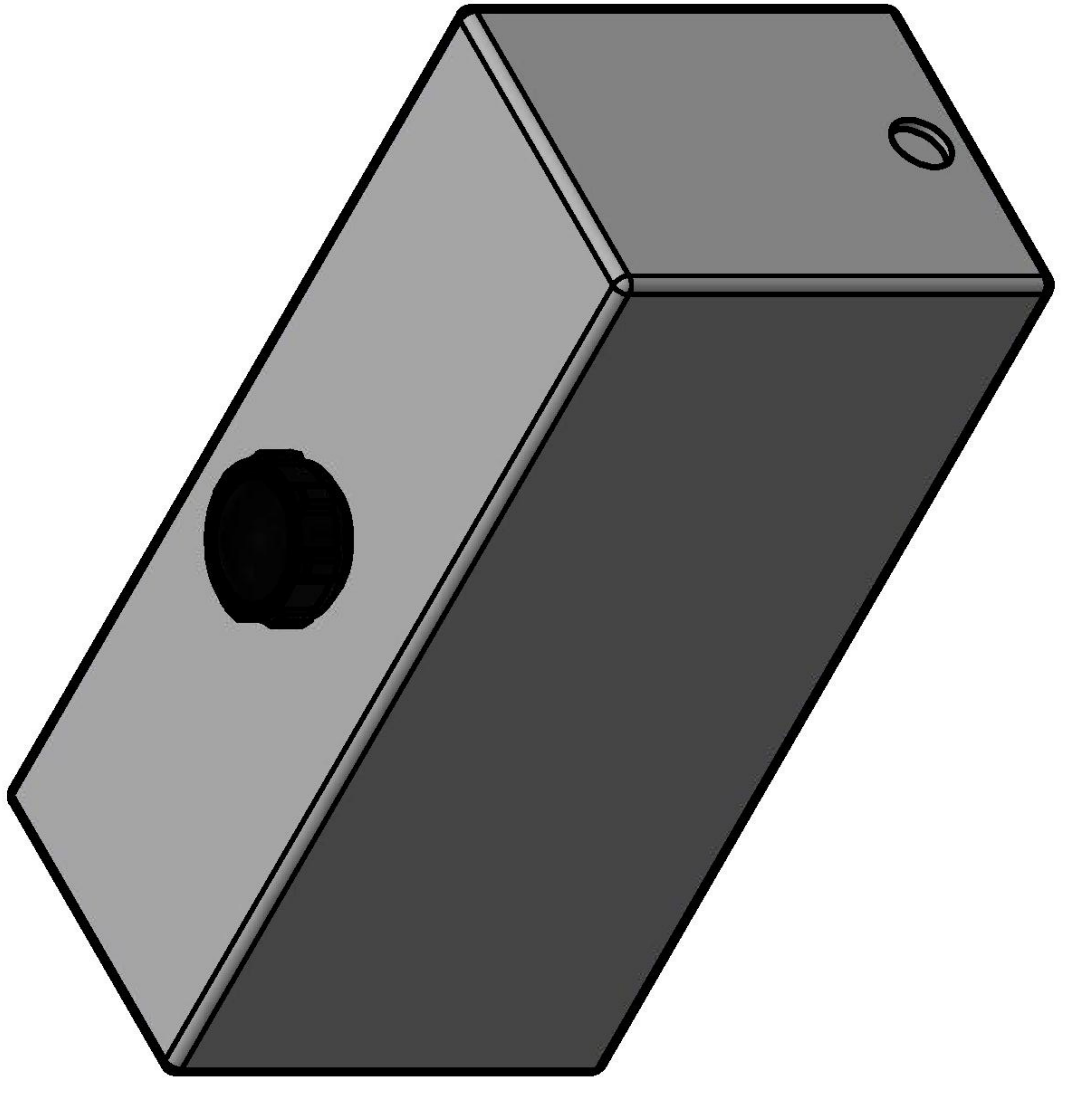


1		
2		
3		
4		
5	Material	
6	Qty Req'd	



DO NOT SCALE UNLESS STATED - IF IN DOUBT ASK

Online Tank Store
Tanks, Feeders & More

CUSTOMER:		12 Litre Tank	
DRAWN DATE:	DESIGNED BY:	CHECKED BY:	
30/05/2018	joshiv		
REV	DRAWING NO:		
A			
SHEET 1 OF 1			

REV	ZONE	DESCRIPTION	DATE