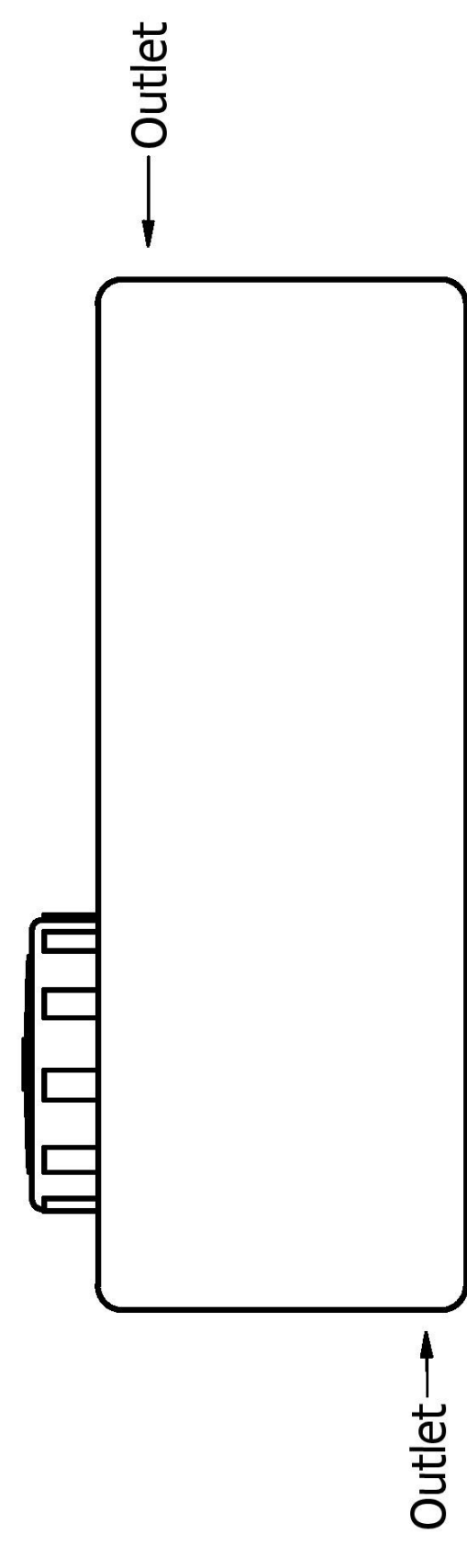
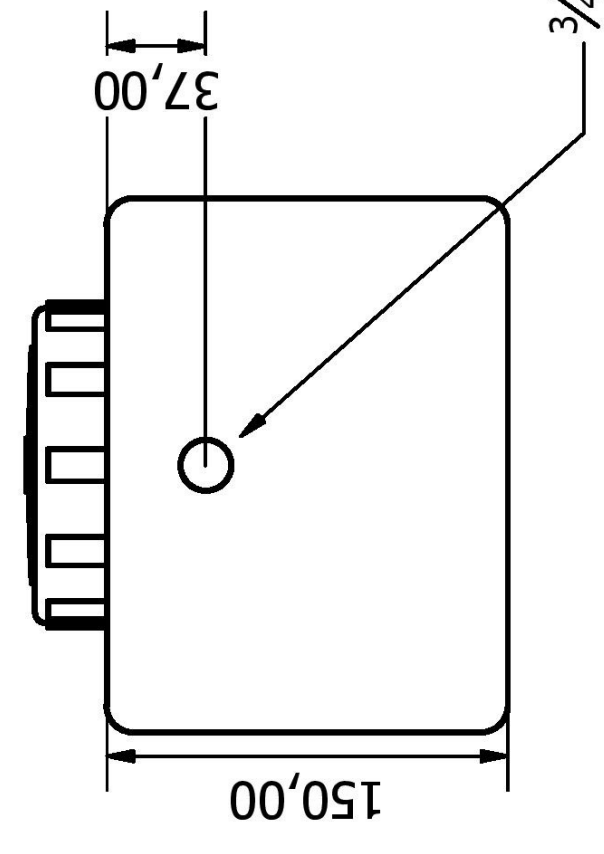
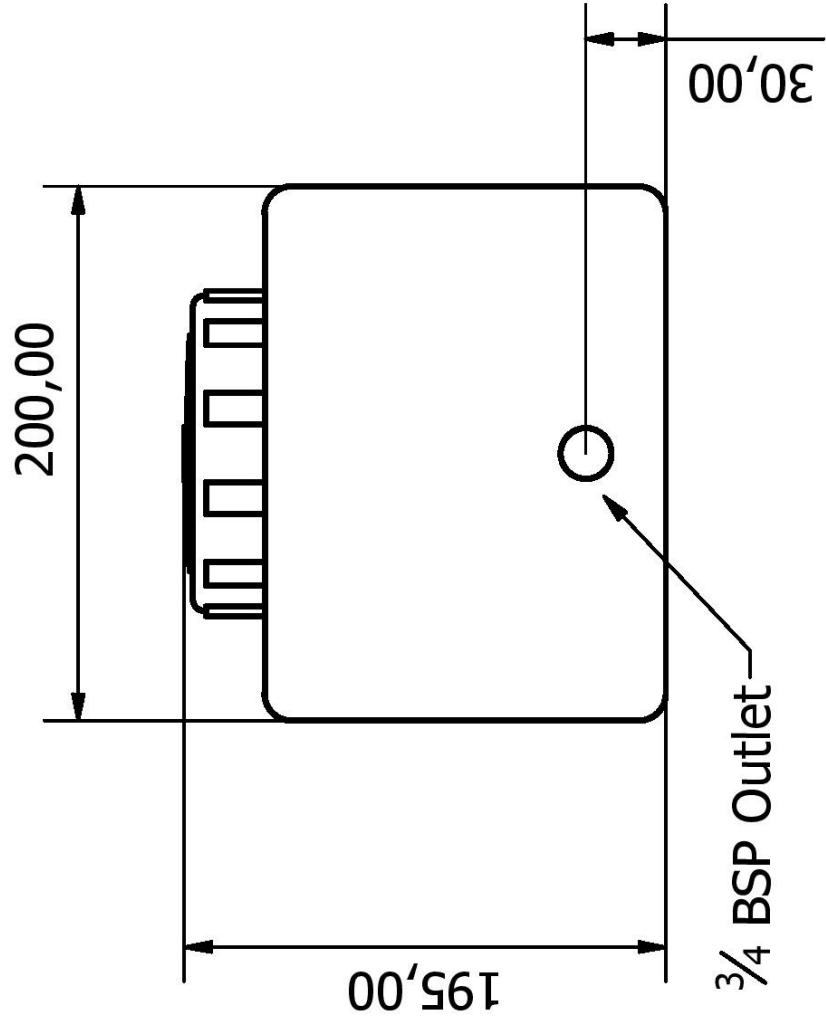
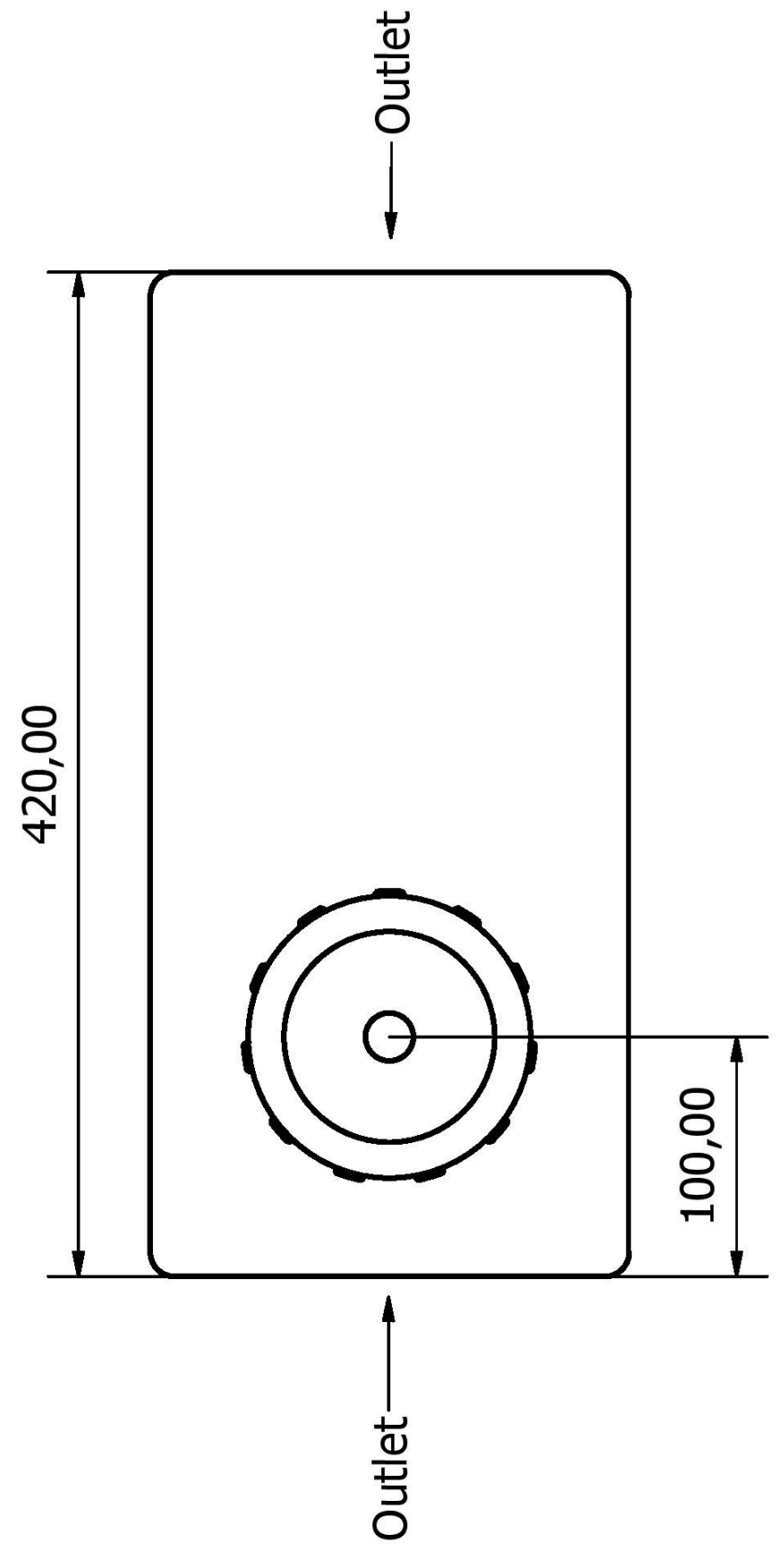
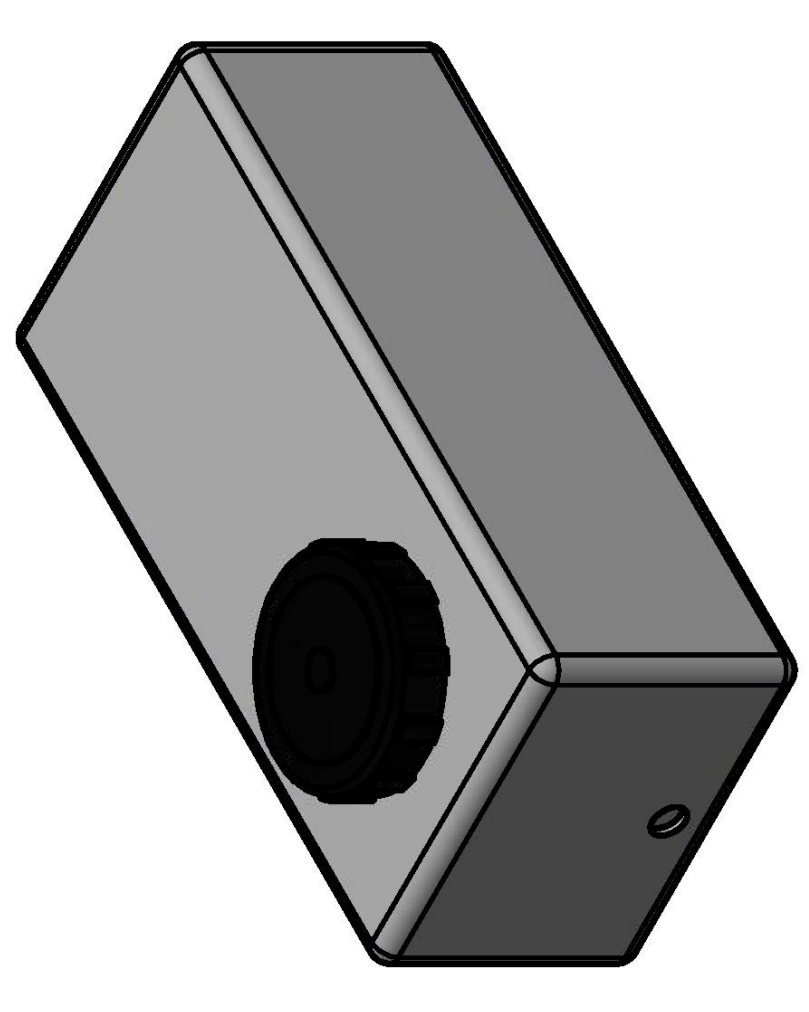
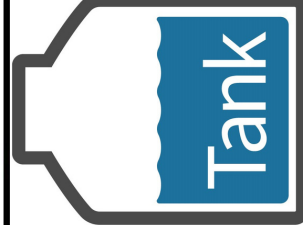


1	2	3	4	5	6
Material					
Qty Req'd					

DO NOT SCALE UNLESS STATED - IF IN DOUBT ASK

D C B A





**Online Tank Store**  
Tanks, Feeders & More

**CUSTOMER:**

**PROJECT:** 12 Flat Tank

**DRAWN DATE:** 11/07/2018

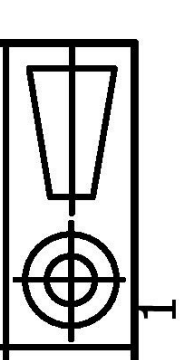
**DESIGNED BY:** joshiv

**REV** A

**DRAWING NO:**

**SHEET 1 OF 1**

REV	ZONE	DESCRIPTION	DATE



CHECKED BY: